

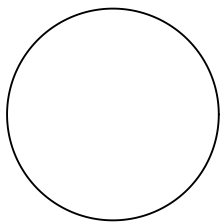
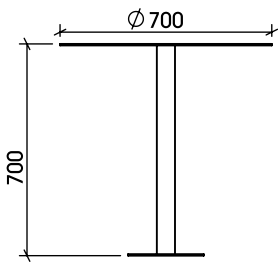
MONTERINGSBESKRIVNING



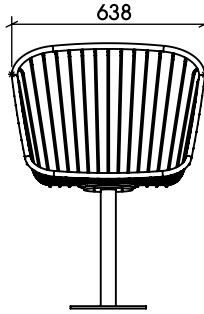
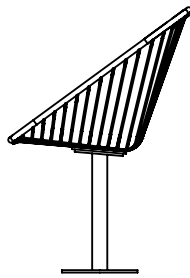
Huvudkontor: Nola Industrier AB Box 17701 Repslagargatan 15b
118 93 Stockholm T: 08 702 1960 F: 08 702 1962 headoffice@nola.se
Kundtjänst/showroom/export/press: Skeppsbron 3 211 20 Malmö
T: 040 171 190 Orderfax: 040 127 545 order@nola.se

www.nola.se

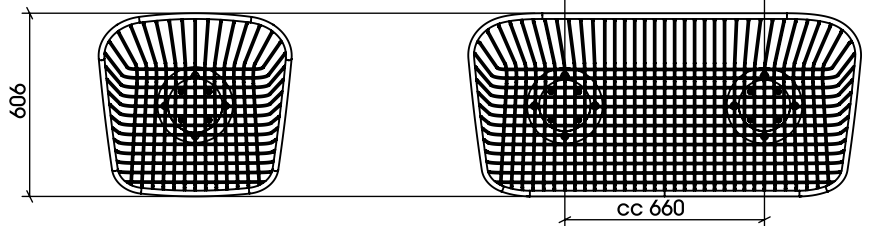
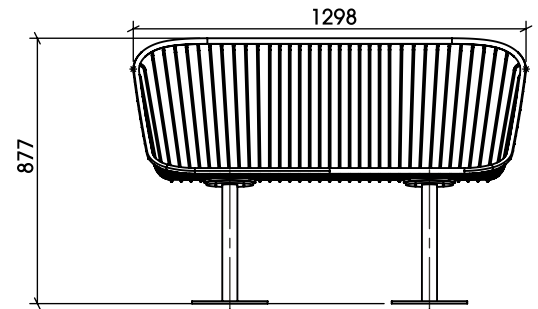
U12-34 - Korg - Table
Ø70 cm



U12-30 - Korg - Swiveling arm chair
U12-31 - Korg - Arm chair



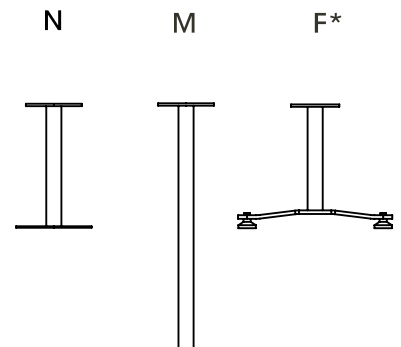
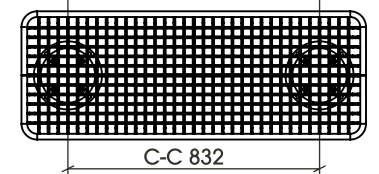
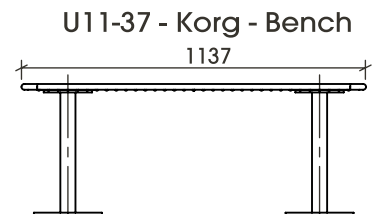
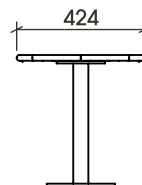
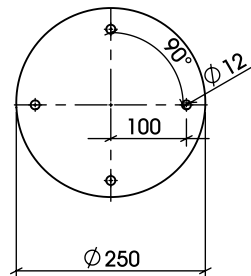
U12-32 - Korg - Sofa



Delivery sepcification:

- U12-30 Korg Armchair
 - Armchair seat 1st
 - swivel stand (ground fixed MC or attachable NC) 1pc
 - Screw set (4 pcs MF6S M8 x 16) 1st
 - (screw for attachment to substrate not included)
- U12-31 Korg fixed armchair
 - Armchair seat 1st
 - stand (ground fixed MC or fixable NC) screw 1st
 - set (4 pcs MF6S M8 x 16) 1st
 - (screw for attachment to substrate not included)
- U12-32 Basket sofa
 - Sofa seat 1st
 - tripod MC= fixed to the ground NC= 2st
 - attachable FC = freestanding) 1st
 - screw set (8 pcs MF6S M8 x 16)
 - (screw for attachment to substrate not included)
- U12-32 Basket bench
 - Bench seat 1st
 - Bench stand (MC= fixed to the ground NC= 2st
 - attachable FC = freestanding) 1st
 - screw set (8 pcs MF6S M8 x 16)
 - (screw for attachment to substrate not included)
- U12-34 Korg table Ø70 cm
 - Table top 1st
 - Table stand (Fixed MC or attachable NC) 1pc
 - screw set (4 pcs LM6M M8) 1st
 - (screw for attachment to substrate not included)

Base plate, hole pattern
(Surface mount)



Stand variants

N= Attachable (with foot plate)
M= Fixed to the ground (cast 400 mm into the ground)
F = freestanding* (adjustable feet)
*NOTE free-standing stands only work for setups where more than one stand is used. So only for sofa and bench.

Headoffice: Nola Industrier AB Repslagargatan 15b Box 17701
 S-118 93 Stockholm T:+46(0)8 702 19 60 F:+46(0)8 702 19 62
 E:headoffice@nola.se Sales/showroom: Skeppsbron 3
 S-211 20 Malmö T:+46(0)40 17 11 90 Orderfax:+46(0)40 12 75 45



Cast in place/M

INSTALLATION DESCRIPTION Dig a hole in the ground with a diameter of approx. 40 cm. Dig to a frost-free depth.

Underlay with frost-resistant material so that the depth of the pit is approx. 50 cm. Set up the armchair with the leg before digging the pit. Stabilize the armchair both vertically and laterally. The pipe that forms the front edge of the chair seat must lie approx. 42 cm above the finished ground surface.

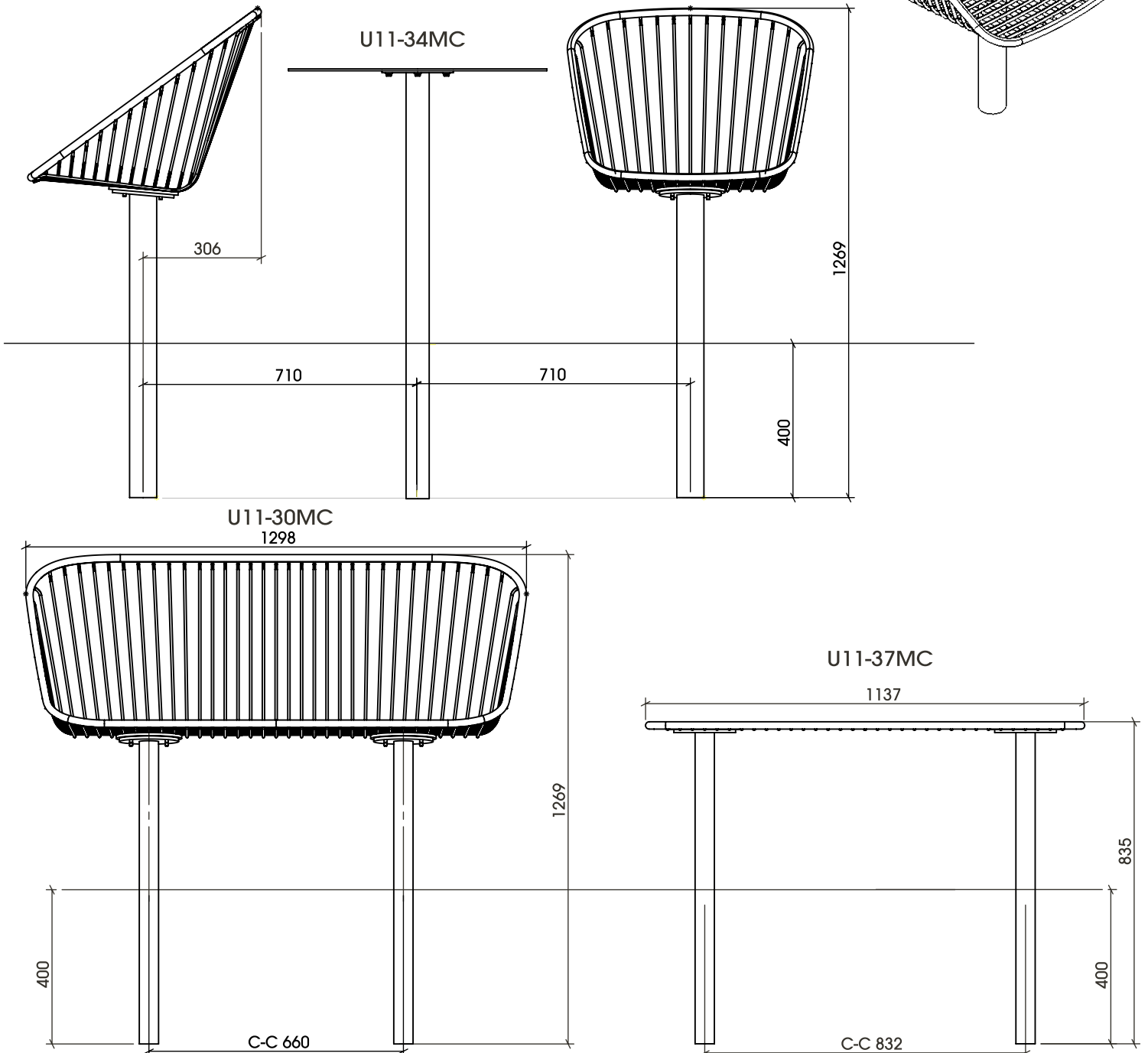
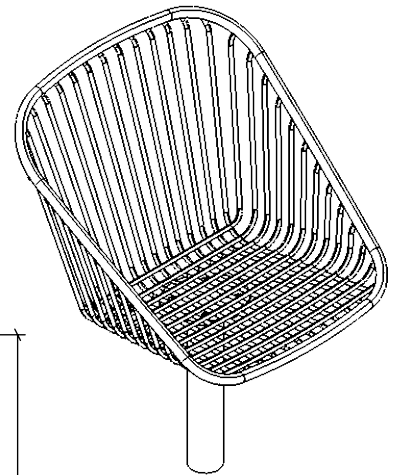
Cast the leg into ground with concrete. The concrete should not go all the way up to the ground surface, but stop approx. 5 cm below the ground surface. Backfill the soil and complete the soil surface.

ATTENTION! When the chair is assembled with the associated table must be the measurement between the chair leg and the table leg center be 710 mm. This is so the back of the chair must not hit the edge of the table when the chair is spun around but still be at a reasonable sitting distance from the table.

www.nola.se

U12-30/M - Korg - Swiveling arm chair, cast in place

U12-31/M Korg - Armchair - Cast in place



Surface Mount/N

MONTERINGSBESKRIVNING

The surface mount model has a foot plate with holes for mounting with M10 screw.

ATTENTION! The leg must always be mounted on the sofa when it is screwed to the ground. Since the seat is inclined, this is important as a small deviation in angle can mean that the sofa cannot be assembled even if the C-C measurement is correct.

Installation on a wooden substrate

Mount with French wood screws to wooden substrate

Installation on paving stones or paving slabs

Undercast the slabs with concrete. There must be no setting sand between the tiles and the concrete. Drill the plate for expanders or chemical anchors.

Mounting against concrete or stone blocks etc.

Mount with chemical anchors or expanders as above. Mounting with an expander provides a removable attachment.

ATTENTION! When the chair is assembled with an associated table, the measurement between the center of the chair leg and the table leg must be 710 mm. This is so that the back of the chair will not hit the edge of the table when the chair is spun around, but still be at a suitable sitting distance from the table.

nola

Headoffice: Nola Industrier AB Repslagargatan 15b Box 17701

S-118 93 Stockholm T:+46(0)8 702 19 60 F:+46(0)8 702 19 62

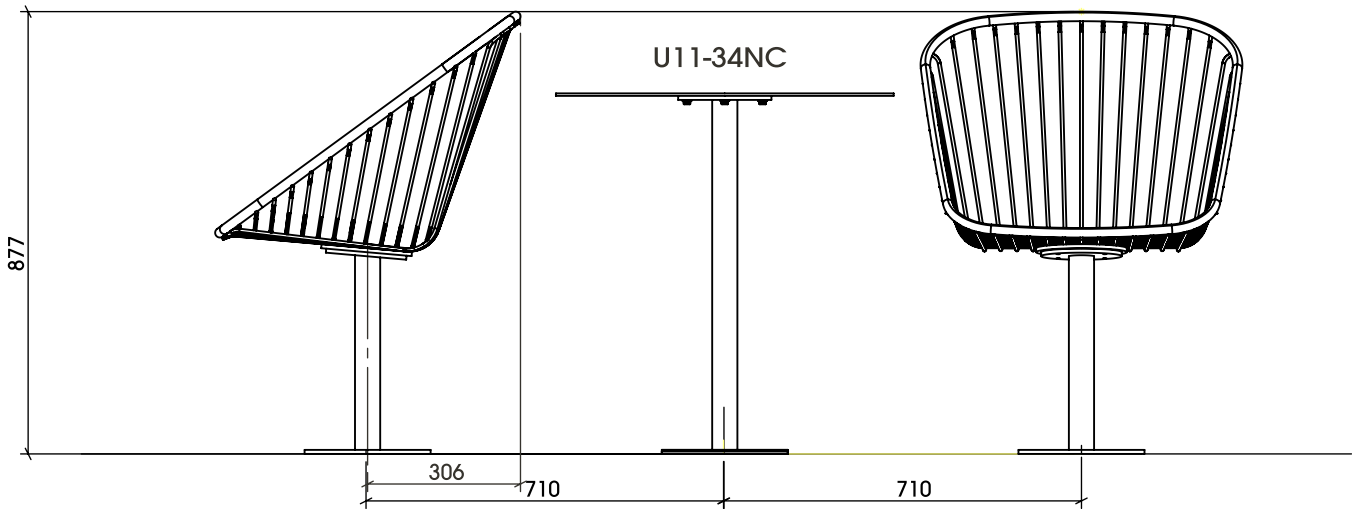
E:headoffice@nola.se Sales/showroom: Skeppsbron 3

S-211 20 Malmö T:+46(0)40 17 11 90 Orderfax:+46(0)40 12 75

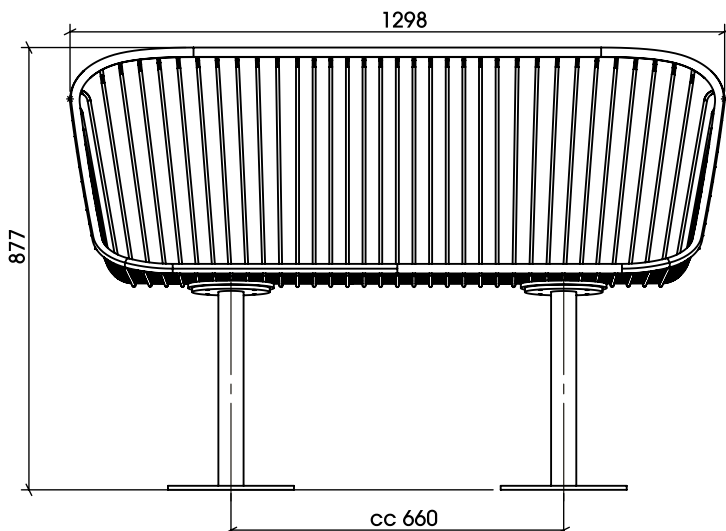
www.nola.se

U12-30/M - Korg - Swiveling arm chair, surface mount

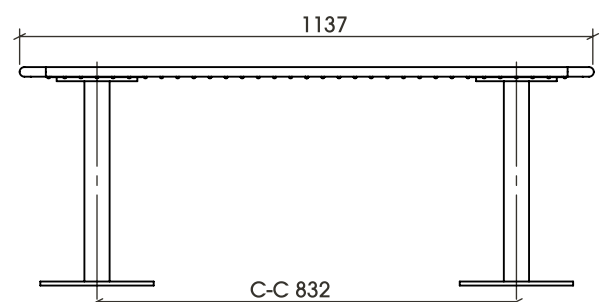
U12-31/M Korg - Armchair - surface mount



U12-32NC



U11-37NC

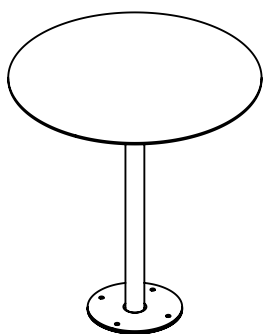


MONTERINGSBESKRIVNING

nola

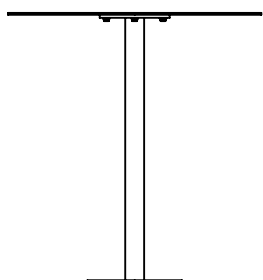
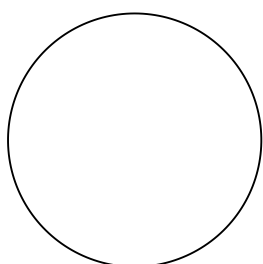
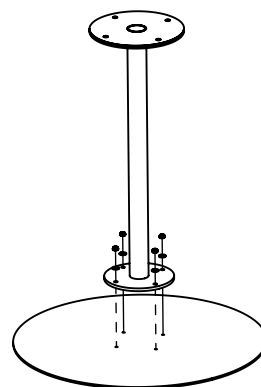
Huvudkontor: Nola Industrier AB Box 17701 Repslagargatan 15b
118 93 Stockholm T: 08 702 1960 F: 08 702 1962 headoffice@nola.se
Kundtjänst/showroom/export/press: Skeppsbron 3 211 20 Malmö
T: 040 171 190 Orderfax: 040 127 545 order@nola.se

www.nola.se



Assembly table/

Turn the table top upside down, make sure you place it on some protective material so that paint damage does not occur. Mount the stand against the table top with the enclosed M8 lock nut and washers. ATTENTION! Be careful when tightening the nuts. With too much force, a single stud can break. The nuts do not need more force than that the installation surfaces meet and after that the nuts are tightened a maximum of 1/4 turn



MONTERINGSBESKRIVNING



Headoffice: Nola Industrier AB Repslagargatan 15b Box 17701
 S-118 93 Stockholm T:+46(0)8 702 19 60 F:+46(0)8 702 19 62
 E:headoffice@nola.se Sales/showroom: Skeppsbron 3
 S-211 20 Malmö T:+46(0)40 17 11 90 Orderfax:+46(0)40 12 75
 45
www.nola.se

Cast in place/M

Dig a hole in the ground with diameter about 40 cm. Dig to frost-free depth. Underlay with anti-frost material so that the depth of the pit is approx. 50 cm.

Set up the table with the leg before digging the pit.

Stabilize the table both vertically and laterally. The pipe that forms the front edge of the chair seat must lie approx. 42 cm above the finished ground surface.

Cast the leg into ground with concrete. The concrete should not go all the way up to the ground surface, but stop approx. 5 cm below the ground surface. Backfill the soil and complete the soil surface.

Surface mount/N

Surface mount model has a foot plate with holes for mounting with M10 screw.

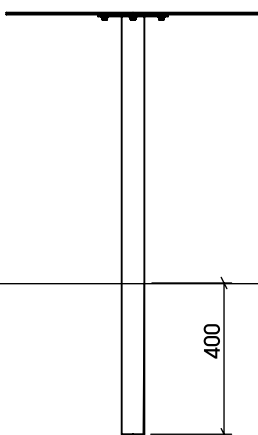
Installation on a wooden substrate

Mount with French wood screws to wooden substrate

Installation on cobblestones or street tiles Undercast the tiles with concrete. There must be no setting sand between the tiles and the concrete. Drill the plate for expanders or chemical anchors.

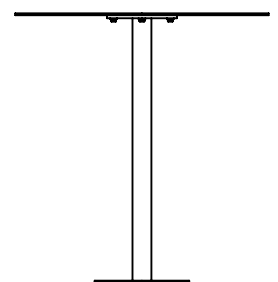
Mounting against concrete or stone blocks etc.

Mount with chemical anchors or expanders as above. Mounting with an expander provides a removable attachment.



U12-34/70/M - Korg - table Ø70cm
 (cast 400 mm in ground)

ATTENTION! When the chair is assembled with an accompanying table, the measurement between the center of the chair leg and the table leg must be 710 mm. This is so that the back of the chair will not hit the edge of the table when the chair is spun around but still be at a suitable sitting distance from the table



U12-34/70/N - Korg - table Ø70cm
 (with base plate)