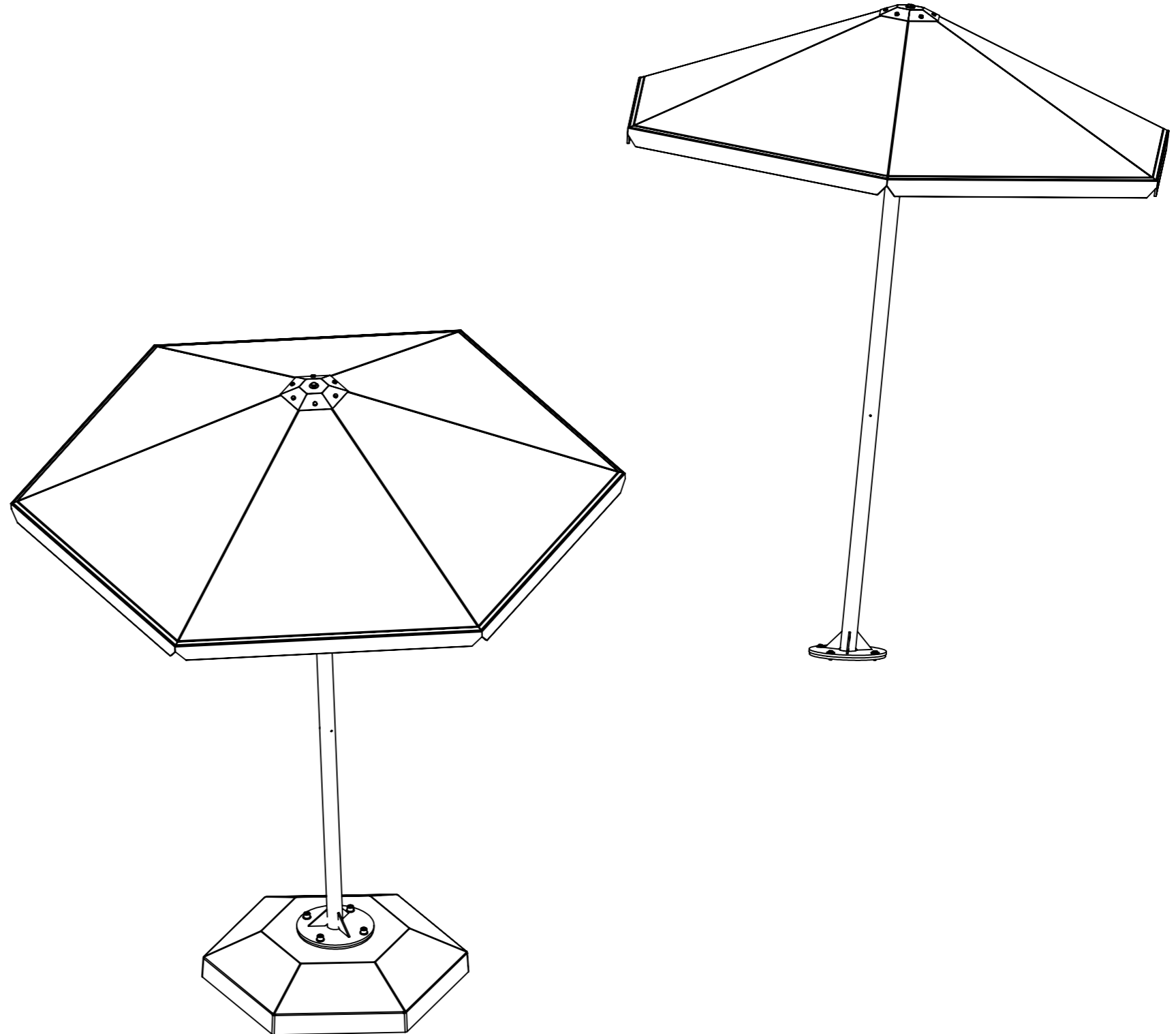


Assembly instructions

Four Seasons Sun Parasol

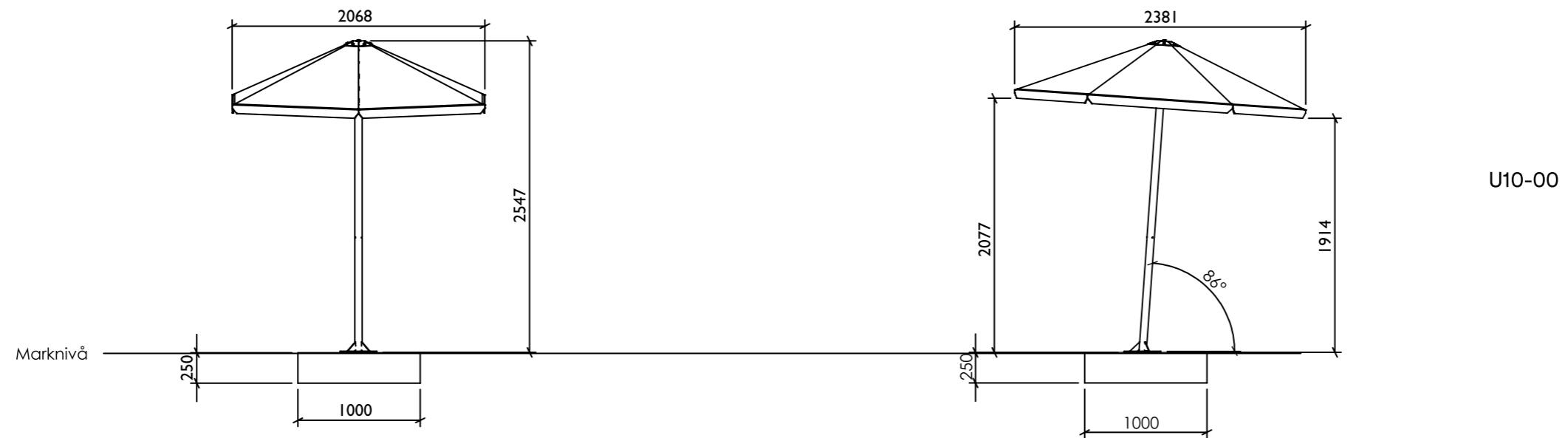
List of contents

Dimensional specification U10-00	s. 2
Dimensional specification U10-00/RAK	s. 3
Included parts	s. 4
Reinforcement base	s. 5
Assembly Parasol	s. 6
Assembly Stand	s. 7
Assembly Safety plates	s. 8
Placements	s. 9

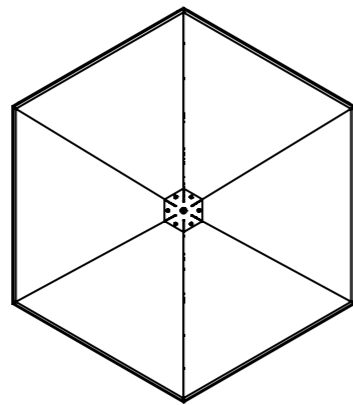


Four Seasons Sun Parasol

Dimensional specification U10-00

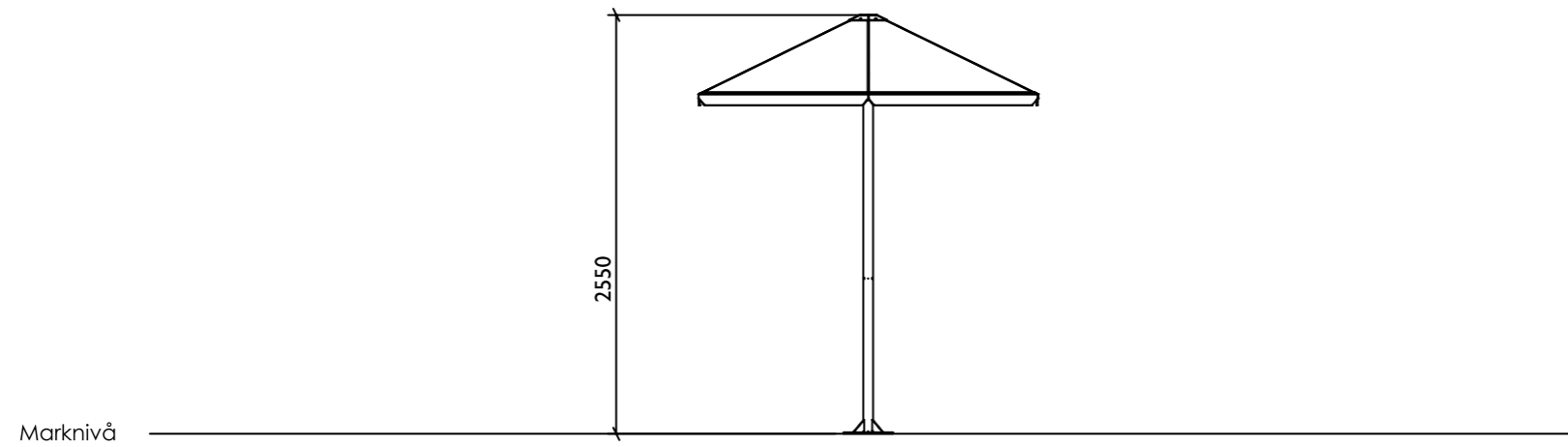


U10-00

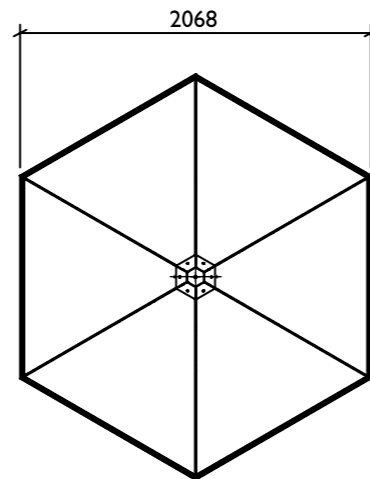


Four Seasons Sun Parasol

Dimensional specification U10-00/RAK



U10-00/RAK



Four Seasons Sun Parasol

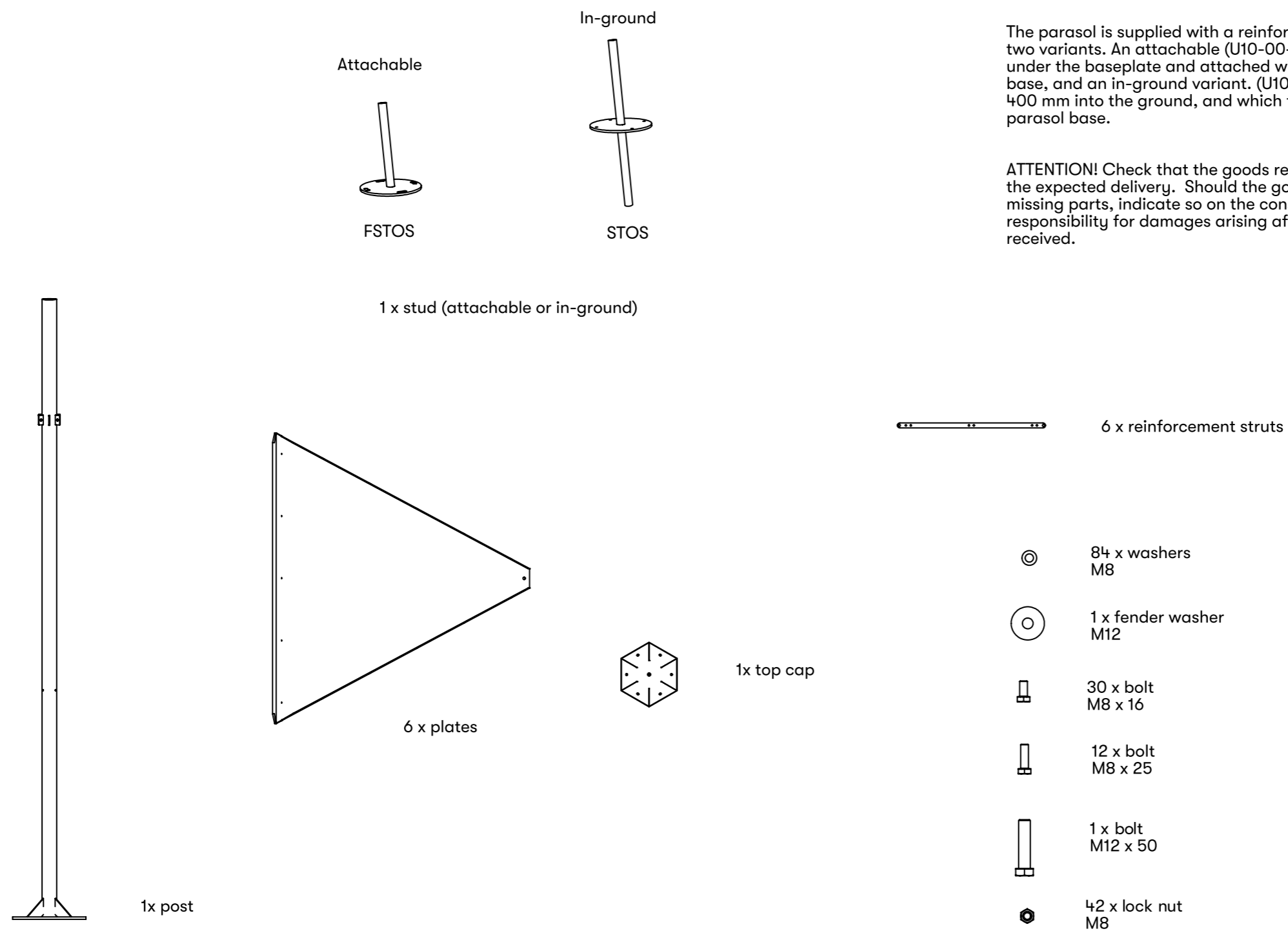
Included parts

Article number:

U10-00 Four Seasons parasol

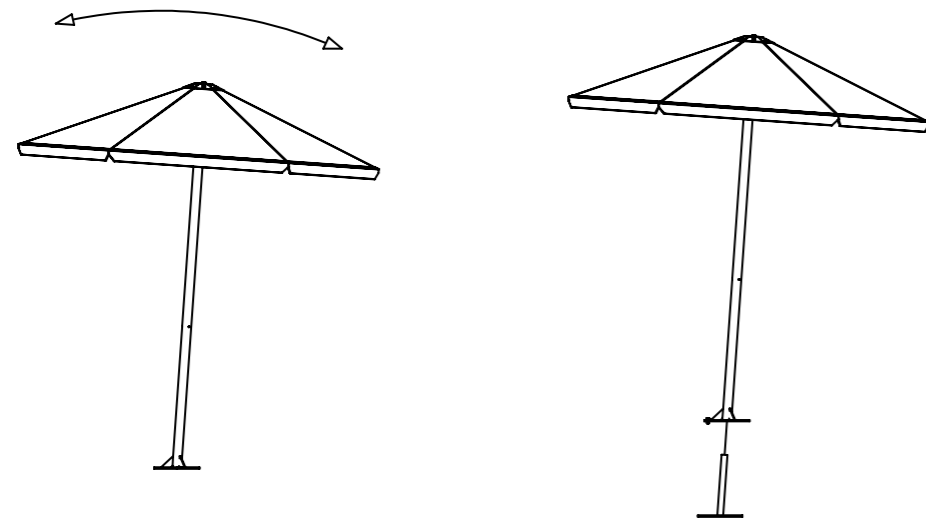
The parasol is supplied with a reinforcement stud that is available in two variants. An attachable (U10-00-FSTOS) variant which is placed under the baseplate and attached with the same bolts as the parasol base, and an in-ground variant. (U10-00-STOS) that is embedded 400 mm into the ground, and which features threaded holes for the parasol base.

ATTENTION! Check that the goods received are consistent with the expected delivery. Should the goods be damaged or there be missing parts, indicate so on the consignment note. Nola assumes no responsibility for damages arising after the goods have been received.



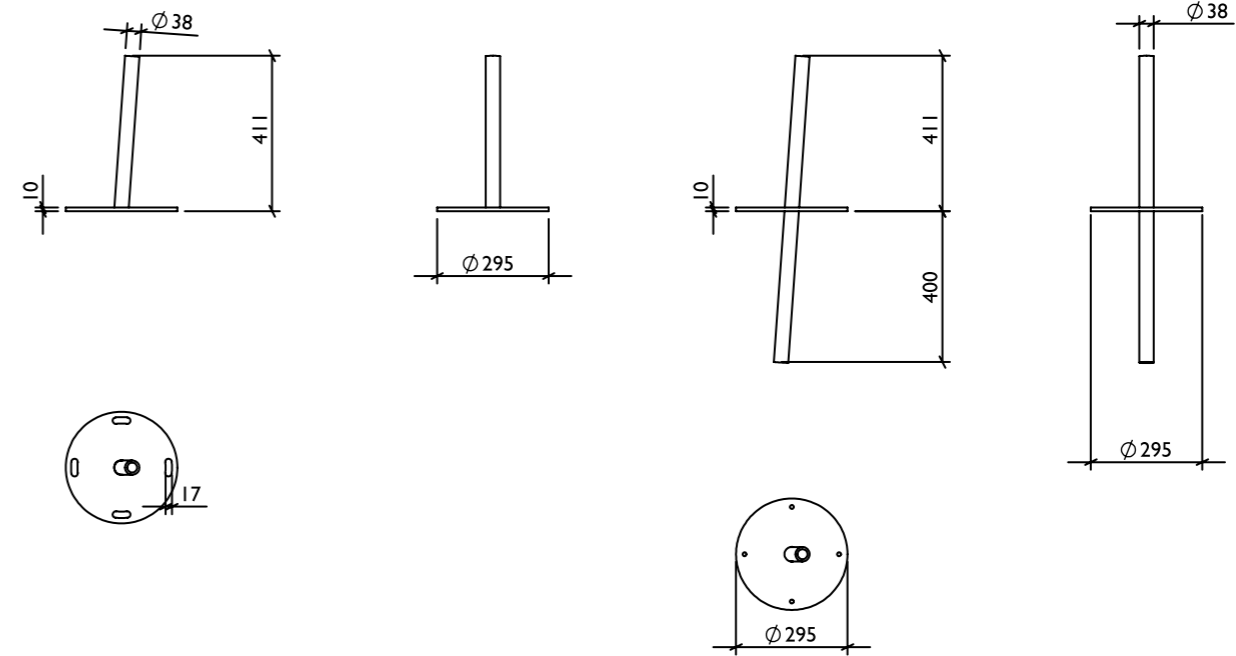
Four Seasons Sun Parasol

Reinforcement base



To further strengthen the product, an extra internal stud is delivered with the product. The stud is available in two variants.

The customer should choose the variant that best suits the location's requirements. The stud supplied with the product is indicated in the order confirmation.



Reinforcement stud
Ö10-00FSTOS

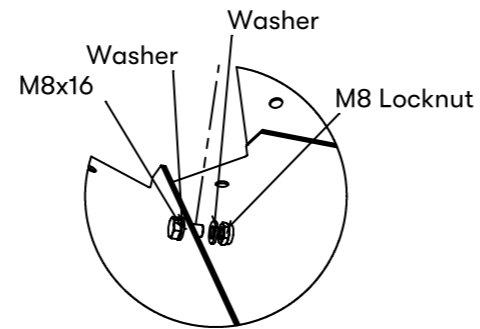
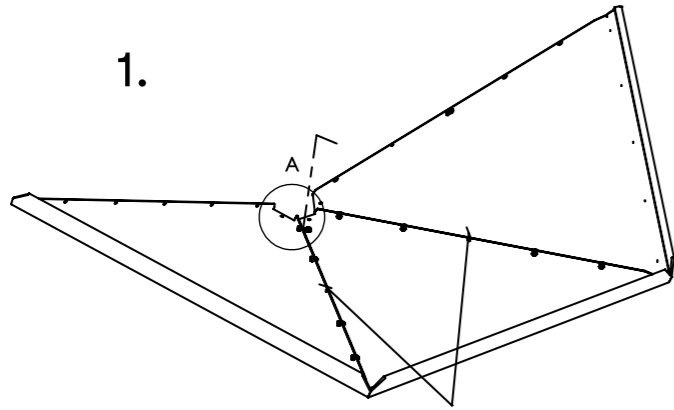
The reinforcement stud features a hole pattern that matches the holes in the parasol base and can therefore be retrofitted to all parasols. The reinforcement stud is mounted on the cast-in-situ foundation

Cast-in stud
Ö10-00-STOS

The cast-in stud is mounted on the parasol before embedding. Embed in the pit or in cardboard/concrete pipes.

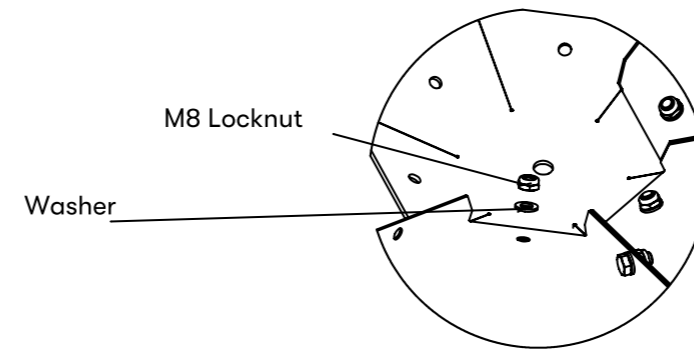
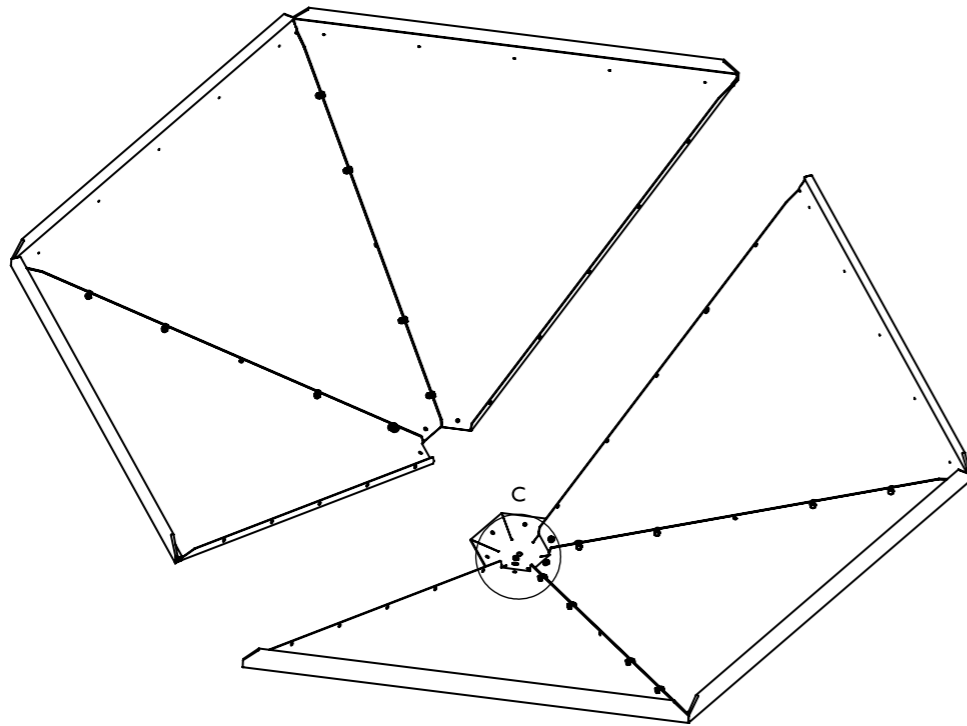
Four Seasons Sun Parasol Assembly Parasol

1.



ATTENTION: Do not place screws in the center holes.

2.



Assembly:

1. Start by screwing together 3 plates. Lay the plates on a flat and clean surface. Make sure that the paint on the top of the plates does not scratch or dent.

Screw the plates together with M8x16 + 2 washers and locknut.

All bolts should be on the same side.

Ensure that the tools do not damage the paint on the underside of the plates. The use of a ring key (13 mm) with locking function is advised.

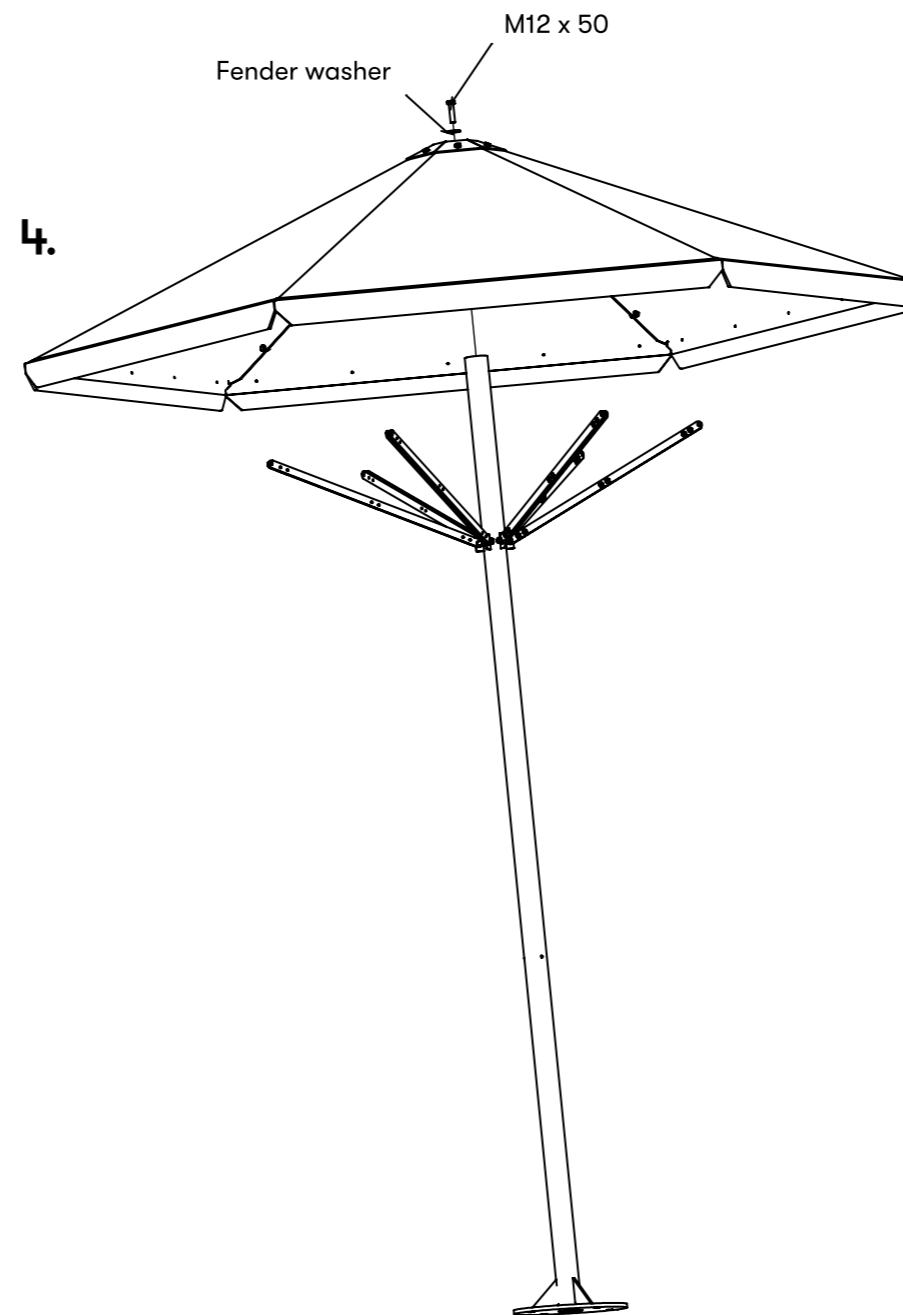
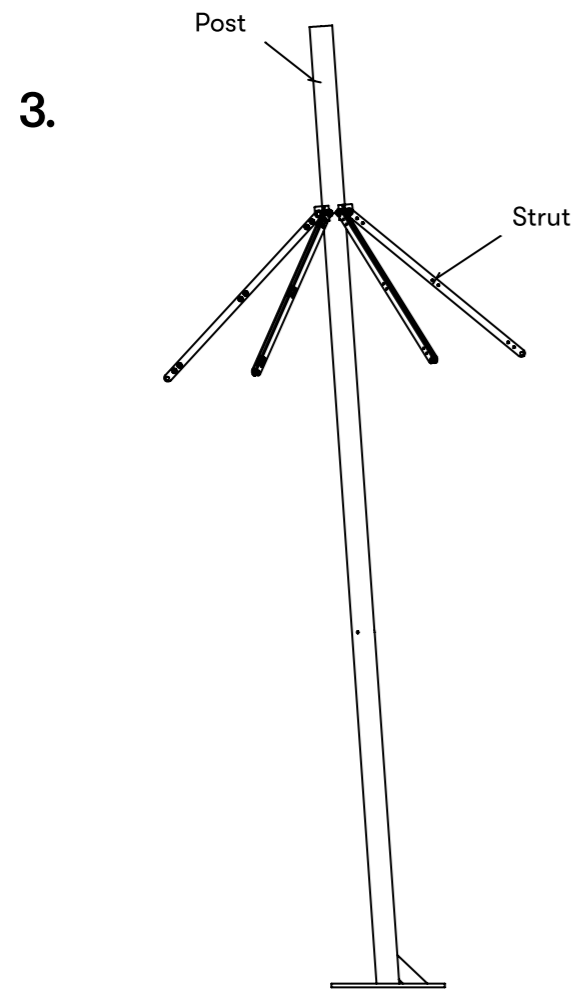
ATTENTION! Place no bolts in the centre hole.

Then install the remaining 3 plates in the same way.

2. Install both halves on the top cap. Use M8x16 + 2 washers + locknut.

The bolt shell should be facing outwards. Once the top cap is in place, assemble all plates together. Remember not to place screws in the centre hole. assumes no responsibility for damages arising after the goods have been received.

Four Seasons Sun Parasol Assembly Stand



3. Install the struts on the post, use M8 x 25 + 2 washers and locknut. Do not tighten fully but allow the struts to hang freely.

4. Lift the mounted plates and mount the M12 bolt through the hole in the centre of the top cap using the thread at the top of the tube. Do not fully tighten.

Mount the struts on the plates with M8x25 + 2 washers and lock nut. The struts should sit in the centre hole of the plates.

The nut should be tightened hard enough for the steel to snap around the plate.

Tighten the bolts on the struts.

Finish by tightening the M12 bolt at the top of the parasol.

Four Seasons Sun Parasol Assembly Safety plates

The function of the safety plates is to remove a crushing and climbing risk in playgrounds or places with children.
Every Sun Parasol needs 6 pcs of safety plates.

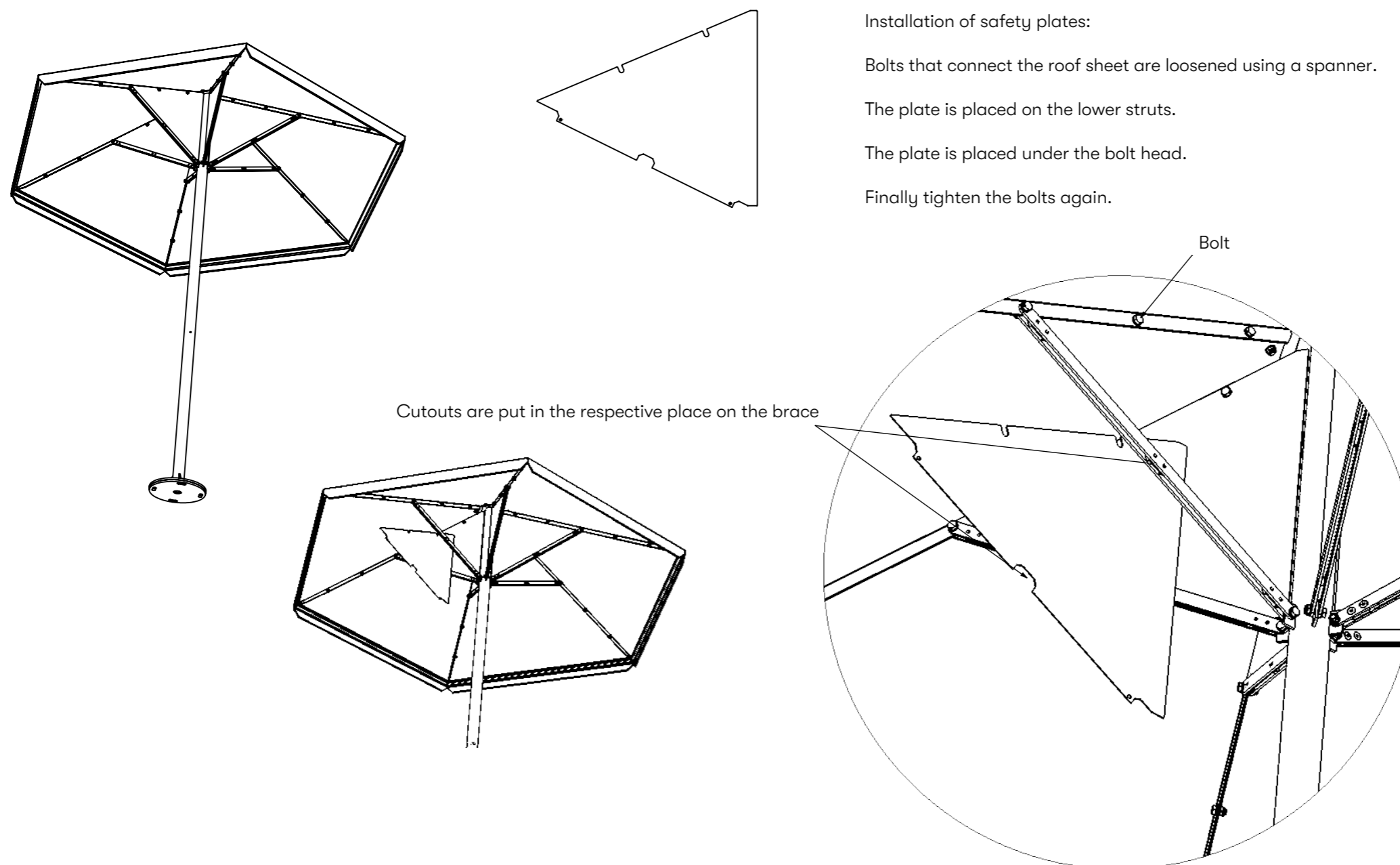
Installation of safety plates:

Bolts that connect the roof sheet are loosened using a spanner.

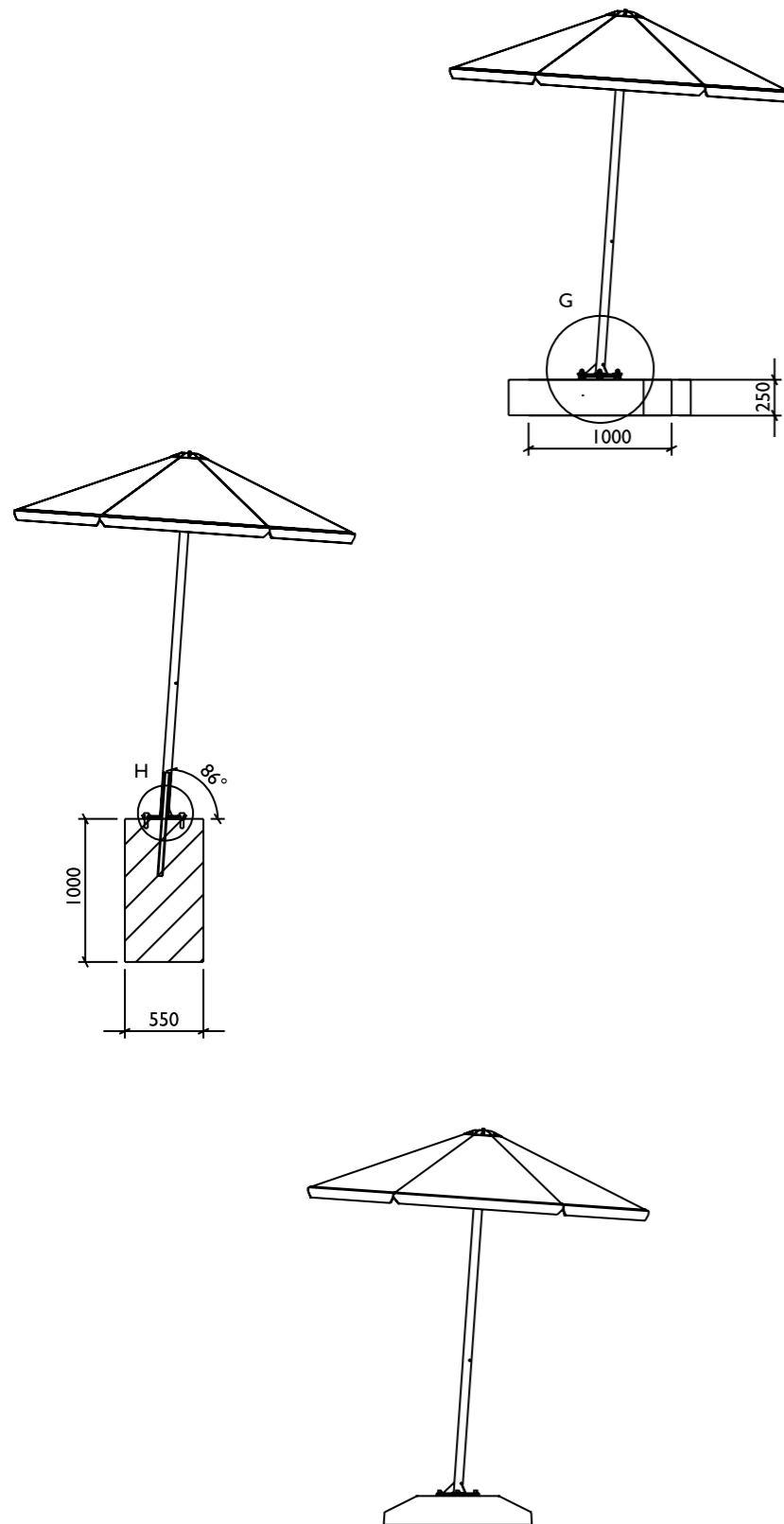
The plate is placed on the lower struts.

The plate is placed under the bolt head.

Finally tighten the bolts again.



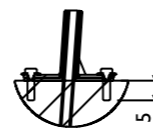
Four Seasons Sun Parasol Placements



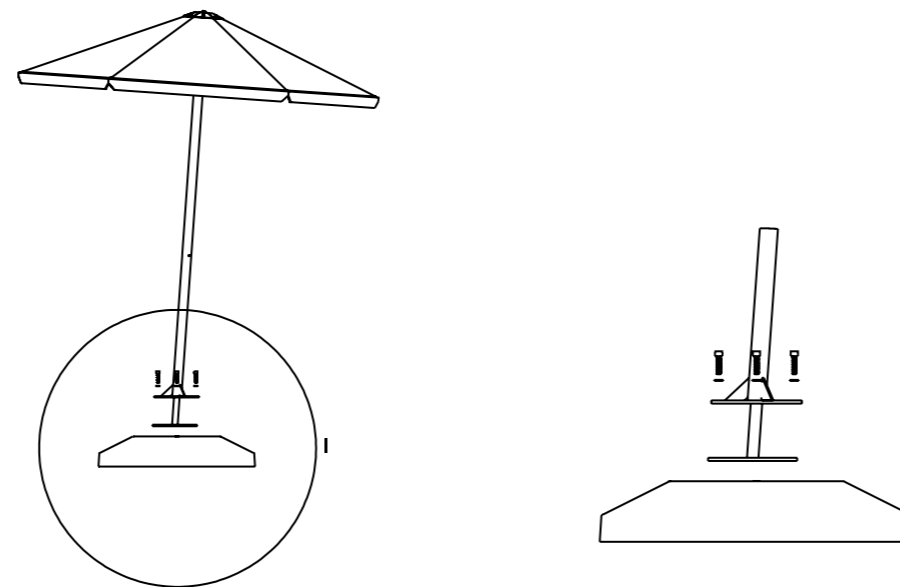
If the top of the foundation is uneven, adjusting nuts may be used under the stud to adjust the inclination. Use a dome nut to avoid sharp edges.



DETAIL G
SCALE 1 : 25



DETAIL H
SCALE 1 : 25



Mounting with U10-00-FSTOS reinforcement stud

The parasol should be fixed in a cast-in-situ foundation or to a concrete floor. Fixing is done with threaded strut + core anchor + nut or with an expander. Fixing bolts are not included in the delivery. The baseplate features four $\varnothing 17$ mm holes intended for fixing with M16. The foundation dimensions should be about 1x1x0.25 m, see drawing. The parasol is delivered in parts and assembled in place. The parasol is supplied together with a reinforcement stud that telescopes into the post and which is attached with the same bolts as the parasol.

Mounting with the cast-in stud.

The U10-00-STOS cast-in stud consists of a strong tube with a welded sheet. The base has 4 threaded M12 holes for mounting the parasol. We recommend the stud to be mounted on the parasol post before embedding, since it is then easiest to check the finished result by supporting the post. If, for some reason, the stud is embedded without the parasol, you need: 1. Keep track of the inclination (the stud leans in the same way as the parasol; thus, you cannot spin the parasol when the stud is stuck in the ground, so you only have one chance to get it right. 2. Ensure the threads are free of concrete so you can get the parasol. This can be done by letting the bolts sit in the threads when the stud is embedded and then removed. The bolts are 5 mm longer than the total thickness of the base plates. Therefore, it can be useful to grease the bolts properly before embedding the stud. If the desired depth is not achieved, you may either place washers under the bolt shell, or cut off some of the screw.

Mounting with concrete base U10-00FSTOS/BFS

The parasol is mounted according to the same principles as when one mounts with reinforcement studs. The parasol is supplied with bolts, washers and lifting eye. The lifting eye screwed to the concrete footing temporarily to make it easier lifting on site. Make sure the foot is placed on an even surface and solid ground. After placement is assembled reinforcement strut and parasol with 4 X M16 bolts and trays. Ensure that bolts are tightened properly, and checked regularly.